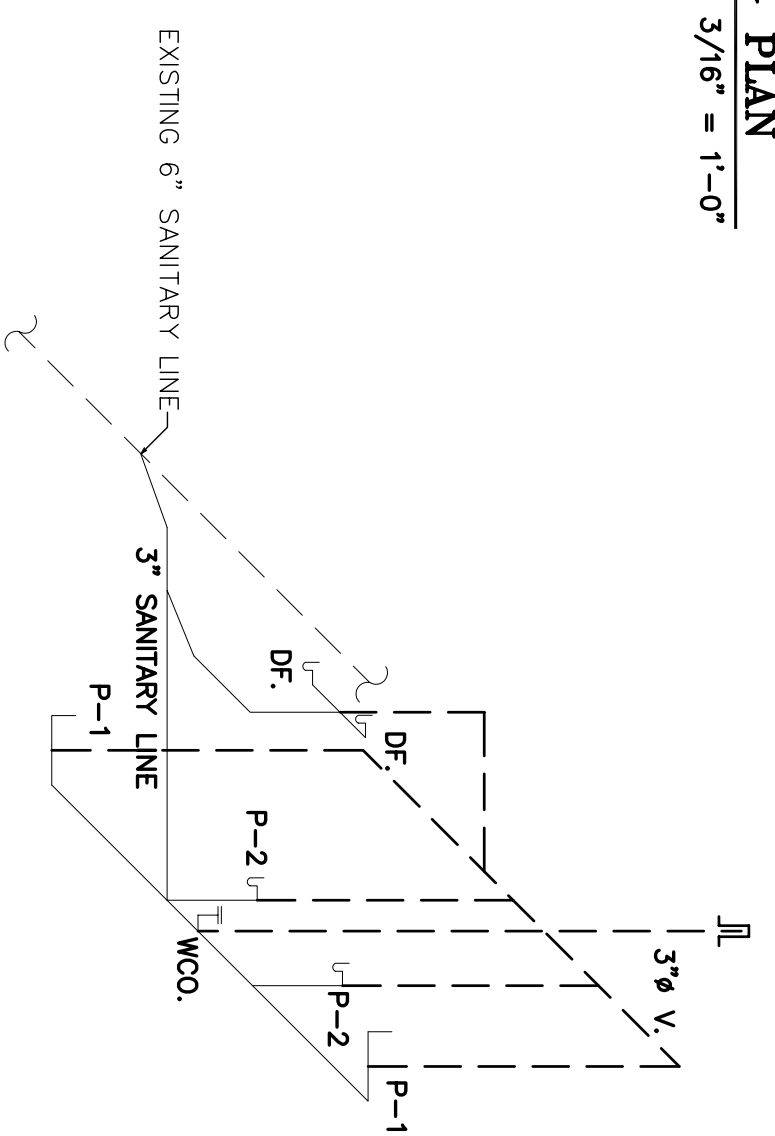
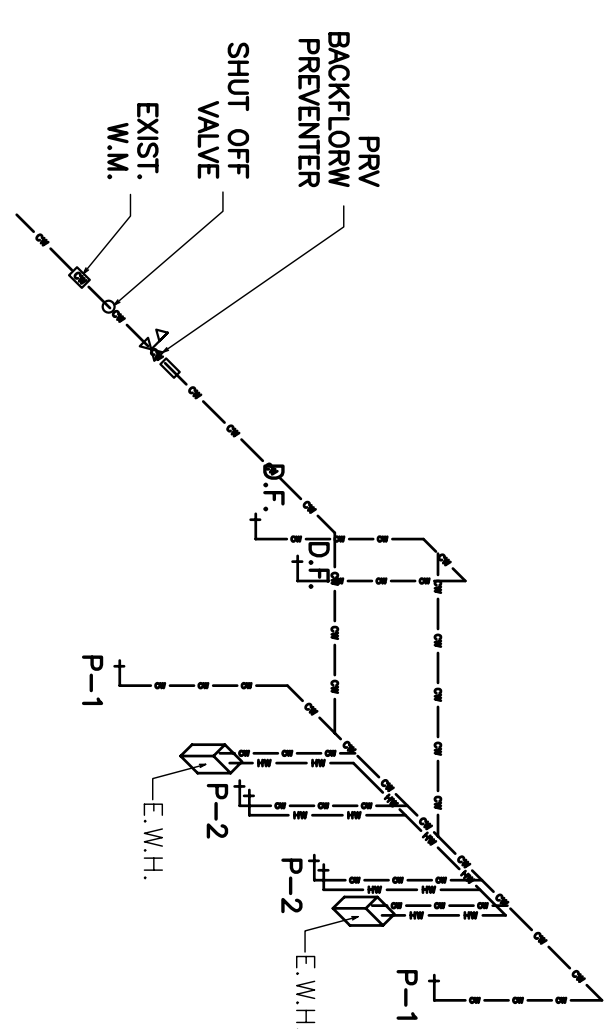


**PLUMBING PLAN**  
3/16" = 1'-0"

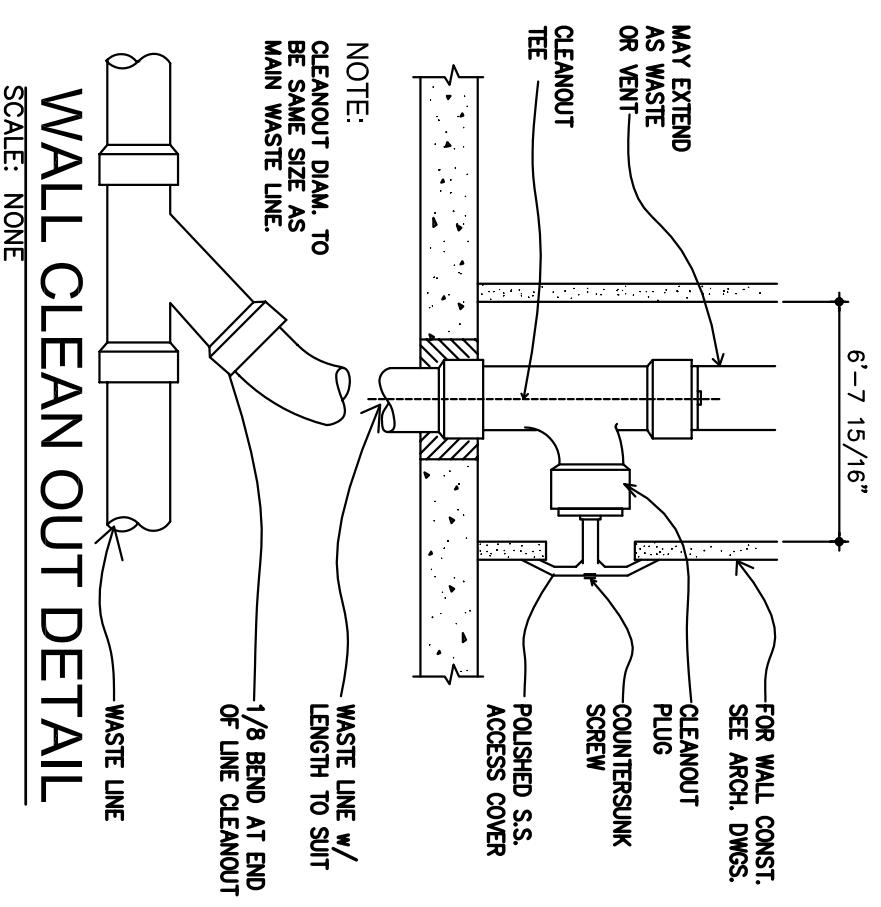


**SANITARY RISER DIAGRAM**  
N/S (PROVIDE 1/2" CW TO FLOOR DRAIN PRIMERS)

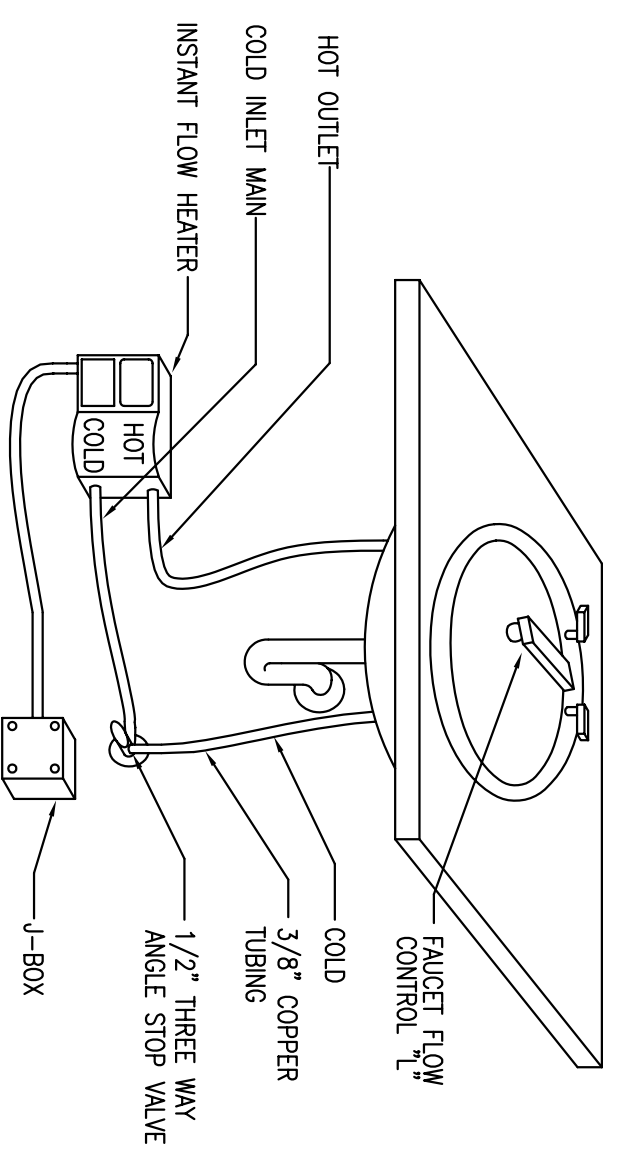


**WATER RISER DIAGRAM**

- PLUMBING NOTES**
- The drawing is diagrammatic only and shows the intent of the design. The contractor shall provide all materials and labor to install a complete and operating system. The contractor shall apply for and pay for all required permits and inspections.
  - Plumbing shall conform to the Georgia State plumbing code and all local codes and ordinances. All natural gas piping (NGP) and connections shall be installed in accordance with NGPA 54 and the special conditions specifications, if any.
  - All sanitary, waste and vent pipe shall be DWV PVC or ABS piping and fittings. All hot and cold water piping and fitting above ground shall be rigid Type M copper and piping and fittings. Below ground shall be rigid Type M copper. All natural gas pipe and fittings shall be schedule 40 black steel and fittings shall be screwed (NPT) and bonded.
  - Alternate manufacturers of plumbing fixtures, floor drains, cleanouts and grease interceptor may be used with the approval of the engineer.
  - All plumbing fixtures shall be new and shall comply with ANSI 117.1, 1980. ELEC. water heater.
  - All water heater shall have T&P relieve valve with discharge piped to 1'-0" above the ground outside.
  - All piping shall be hung from pipe hangers as manufactured by the Grinnell Co., or equivalent, at 10'-0" o.c. maximum. Perforated metal straps and wire shall not be used.
  - All vent for waste line to vent through roof (VTR) as noted.
  - VACUUM BREAKER (WATER) MOP/CAN WASH



**WALL CLEAN OUT DETAIL**  
SCALE: NONE



**INSTANTANEOUS WATER HEATER**  
NOT TO SCALE

ELEC. WATER HEATER SCHEDULE				
UNIT	SERVICE	SOURCE	KW	CAPACITY GALLON
WH1	DOMESTIC	ELEC.	3.0	N/A

PLUMBING FIXTURE CONNECTION SCHEDULE					
SYMBOL	DESCRIPTION	MINIMUM CONNECTION SIZE	MTS. HT. FLOOR TO RIM	REMARKS	
P-1	WATER GOSSET HANDSHELD	3"	2"	17"	FLOOR MOUNTED - FLUSH TANK
P-2	LAVATORY	2"	1-1/2"	17"	WALL MOUNTED

**PLUMBING PLAN NOTES & SCHEDULE**

REVISION BY

DATE: 04/23/15

PROJECT NO.

SCALE: AS NOTED

DRAWN BY:

**WHITE BOX**  
(TOWN BROOKHAVEN)

305 BROOKHAVEN AVENUE  
SUITE # 1, 220"  
ATLANTA, GA 30310

**CUSTOM DESIGN & DEVELOPMENT CORPORATION**

5750 BAYVIEW BLVD.  
SUITE 306  
MARIETTA, GA 30071

TEL: (770)-333-8888  
FAX: (770)-379-3888