

- ALLOW FOR LATERAL MOVEMENT OF CEILING SYSTEM. MAIN RUNNERS AND CROSS RUNNERS MAY BE ATTACHED AT TWO ADJACENT WALLS WITH CLEARANCE BETWEEN WALL AND RUNNERS AT THE OTHER TWO WALLS.
- DISCONTINUOUS ENDS OF CROSS RUNNERS AND MAIN RUNNERS SHALL BE VERTICALLY SUPPORTED WITHIN 8" OF SUCH ENDS.
- LIGHTING FIXTURES AND AIR DIFFUSERS SHALL BE SUPPORTED DIRECTLY BY WIRES TO THE STRUCTURE ABOVE. EXCEPTIONS:
 - RECESSED LIGHT FIXTURES NOT OVER 56 LBS. AND SUSPENDED AND PENDENT HUNG FIXTURES NOT OVER 20 LBS. MAY BE SUPPORTED AND ATTACHED DIRECTLY TO THE CEILING RUNNERS BY A POSITIVE ATTACHMENT SUCH AS SCREWS OR BOLTS.
 - AIR DIFFUSERS NOT OVER 20 LBS. AND RECEIVING NO TRIBUTARY LOADING FROM DUCT WORK MAY BE POSITIVELY ATTACHED

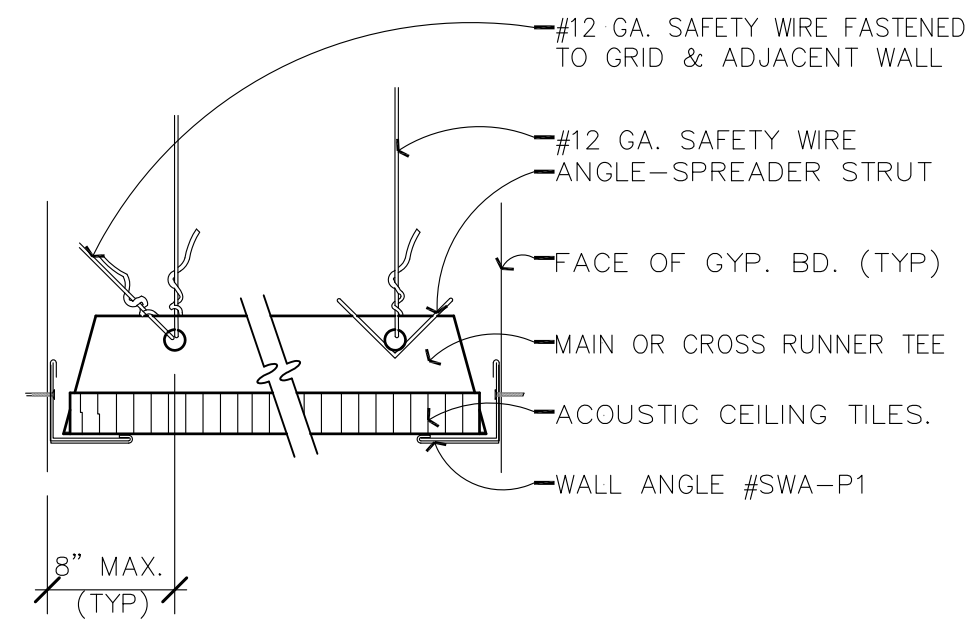
CEILING DETAILS

CEILING MATERIAL LEGEND

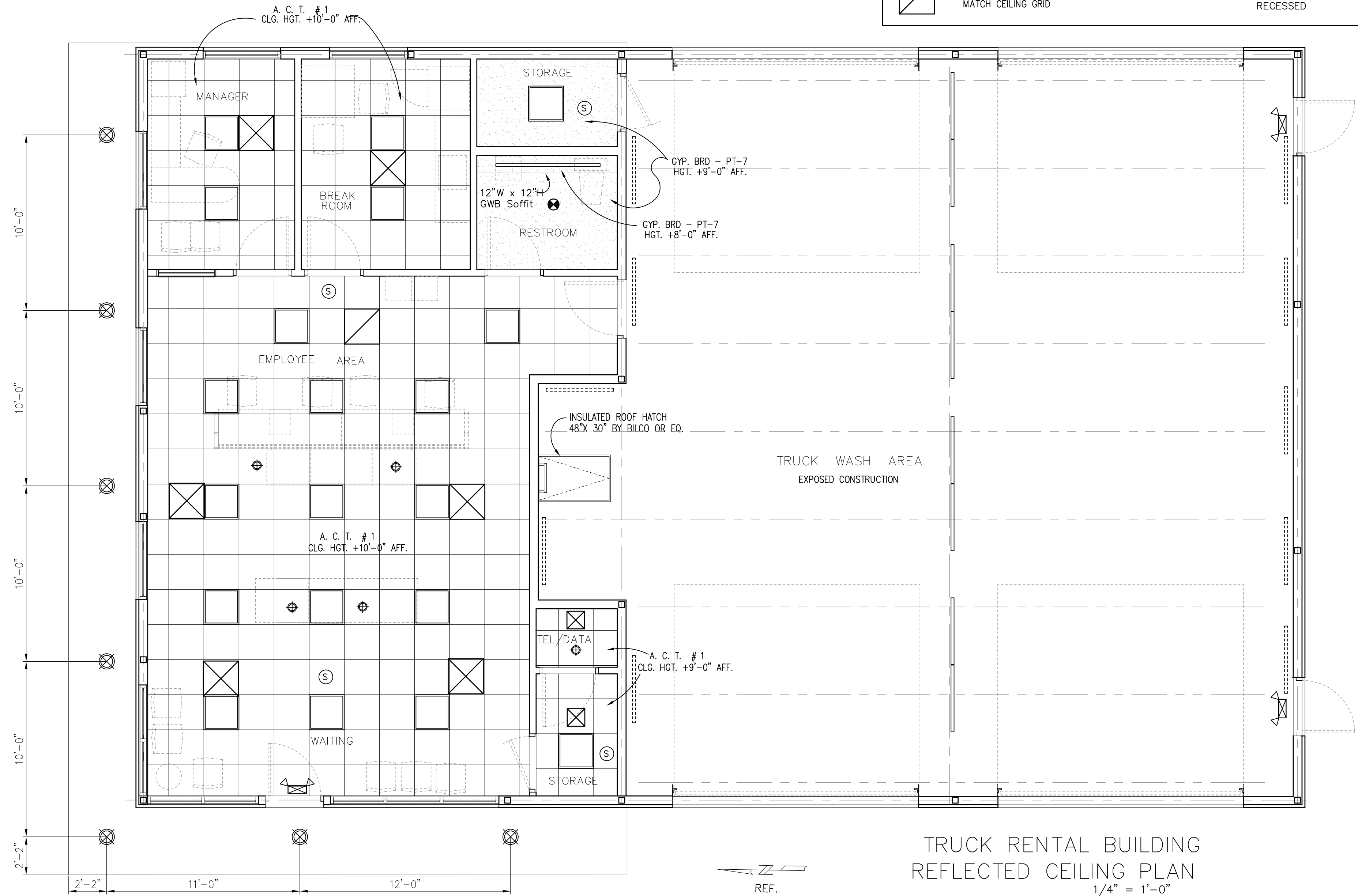
| | |
|--|--|
| | ACT-1 ARMSTRONG CORTEGA #703 W/ TEGULAR EDGE CLASS 'A' FLAME SPREAD |
| | GYPSUM BOARD CEILING/HEADER - PAINTED P-1 |

REFLECTED CEILING PLAN LEGEND

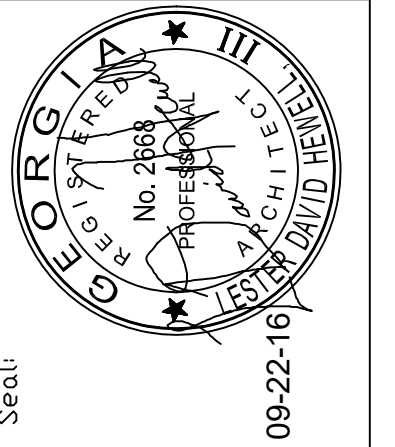
| SYMBOL | FIXTURE TYPE | MOUNTING |
|--------|--|------------------------------------|
| | 2' x 2' LED TROFFER | RECESSED |
| | LED CANS - LIGHTS (4" DIA.) 4" DIA. LED | RECESSED |
| | WATERPROOF LED CAN-LIGHTS 8.5" DIA. LED | RECESSED |
| | 72" LED SLOT | FLUSHMOUNT |
| | 48" WATERPROOF LED LINEAR FIXTURE | WALL MOUNT 9'-8" AFF. |
| | PAIR 48" WATERPROOF LED LINEAR FIXTURE | SURFACE MOUNT BOTTOM OF TRUSSES |
| | LIGHTED EXIT SIGN (WITH BATTERY PACK) -(EXIST) WITH DUAL LGT. - EMERGENCY LIGHT W/ BATTERY PACK | SURFACE MOUNT |
| | EXHAUST FAN (SEE MECH) | RECESSED |
| | DIRECT WIRED SMOKE DETECTOR - CLG. MOUNT | RECESSED |
| | NIGHT LIGHT - WIRE W/ EMERG. CKT. | |
| | MECHANICAL SYSTEM AIR DIFFUSERS, MATCH CEILING GRID. | RECESSED |
| | MECHANICAL SYSTEM RETURN AIR GRILLES, MATCH CEILING GRID | RECESSED |



LIGHT FIXTURE SUSPENSION DETAIL



TRUCK RENTAL BUILDING
REFLECTED CEILING PLAN
1/4" = 1'-0"



Lee's Design & Associates, Inc.
Engineers • Architects • Consultants
732-A Holcomb Bridge Rd.,
Norcross, GA 30071
Tel: (770) 242-7727 Fax: (770) 242-7761
Email: lida@leesdesigninc.com
Website: www.leesdesigninc.com

Client: ENTERPRISE HOLDINGS, INC.
1850 PARKWAY PLACE, STE. 1000,
MARIETTA, GA 30067
Tel: (678) 240-2048
Fax: (603) 443-9316

Project: ENTERPRISE RENT-A-CAR
BUILDING DEVELOPMENT
AT
2202 CDBB PARKWAY,
KENNESAW, GA 30152

| Issue Date: | Dwg. Revision Description |
|-------------|---------------------------------------|
| 09-02-16 | ISSUE FOR SUBMITTAL |
| 09-22-16 | RESUBMITTED PER FIRE MARSHAL'S REVIEW |
| | ISSUE FOR CONSTRUCTION |

Lee's Design & Associates, Inc.
© 2016
This drawing may be utilized only for the purpose of constructing or installing the work shown thereon at the site of the work specified. Any other use of this drawing, including without limitation any reproduction or alteration of this drawing, without the prior written approval of Lee's Design & Assoc., Inc. is prohibited.

Project No: 1534
Dwg. Date: 08-22-16
Dwg. Revision:
Drawn By:
Checked By:

Sheet Title:
TRUCK RENTAL BLDG.
REFLECTED CEILING PLAN

Sheet No.:
TR-A-1.2