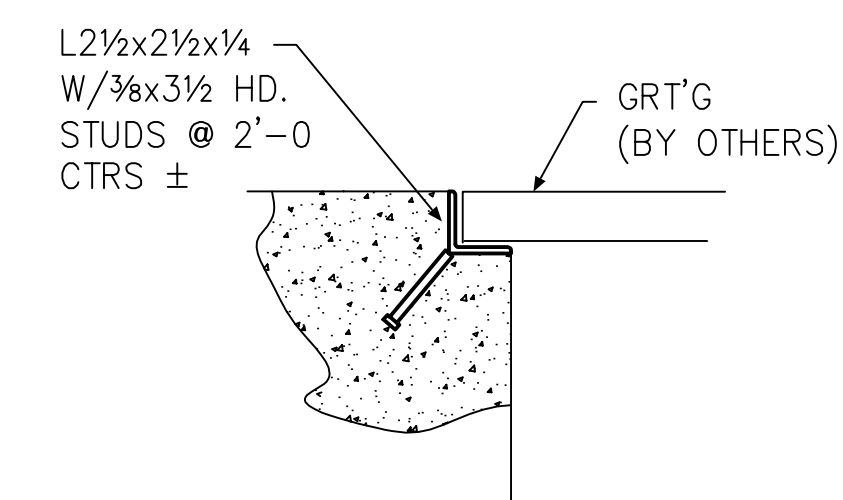


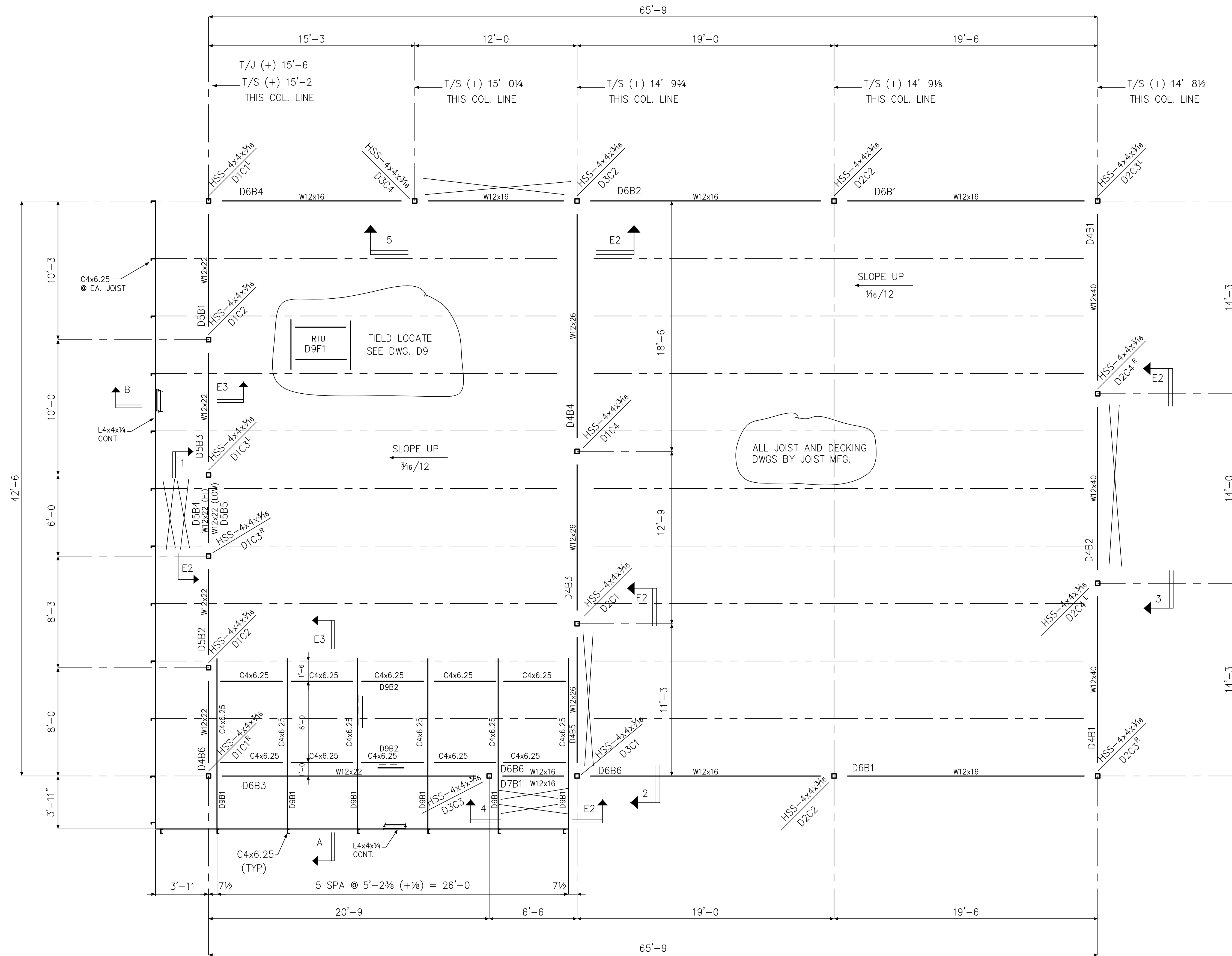
FOR APPROVAL ONLY

COL. ANCHOR BOLT SETTING PLAN
TRUCK RENTAL BUILDING



SECTION A

REV.	DATE	DESCRIPTION	PRINTS	NO.	DATE	NO.	DATE
			FIELD				
			SHOP				
			APPROVAL				
B & P IRON COMPANY, INC. 2514 West Point Ave. Tel. (404) 767-0546 College Park, Ga. Fax. (404) 767-4232							
JOB ENTERPRISE TRUCK RENTAL BLDG. 2202 COBB PARKWAY							
LOCATION KENNESAW, GA.							
CUSTOMER CHANDLEE & SONS							
ARCHITECT LEE'S DESIGN & ASSOCIATES, INC							
DETAILER	MHA	DATE	1/17	JOB NO.	DRWG. NO.		
CHECKER		DATE		2385	(TR)AB1		
IN CHARGE OF							



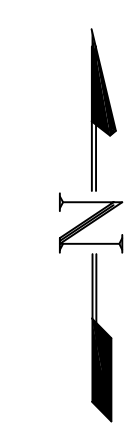
APPROVER:
PLEASE APPROVE OR
CORRECT ALL
ELEVATIONS ON COL.
LINES.

ALL JOIST AND DECKING
DWGS BY JOIST MFG.

RTU
D9F1
FIELD LOCATE
SEE DWG. D9

FOR APPROVAL ONLY

ROOF STEEL FRAMING PLAN
TRUCK RENTAL BUILDING



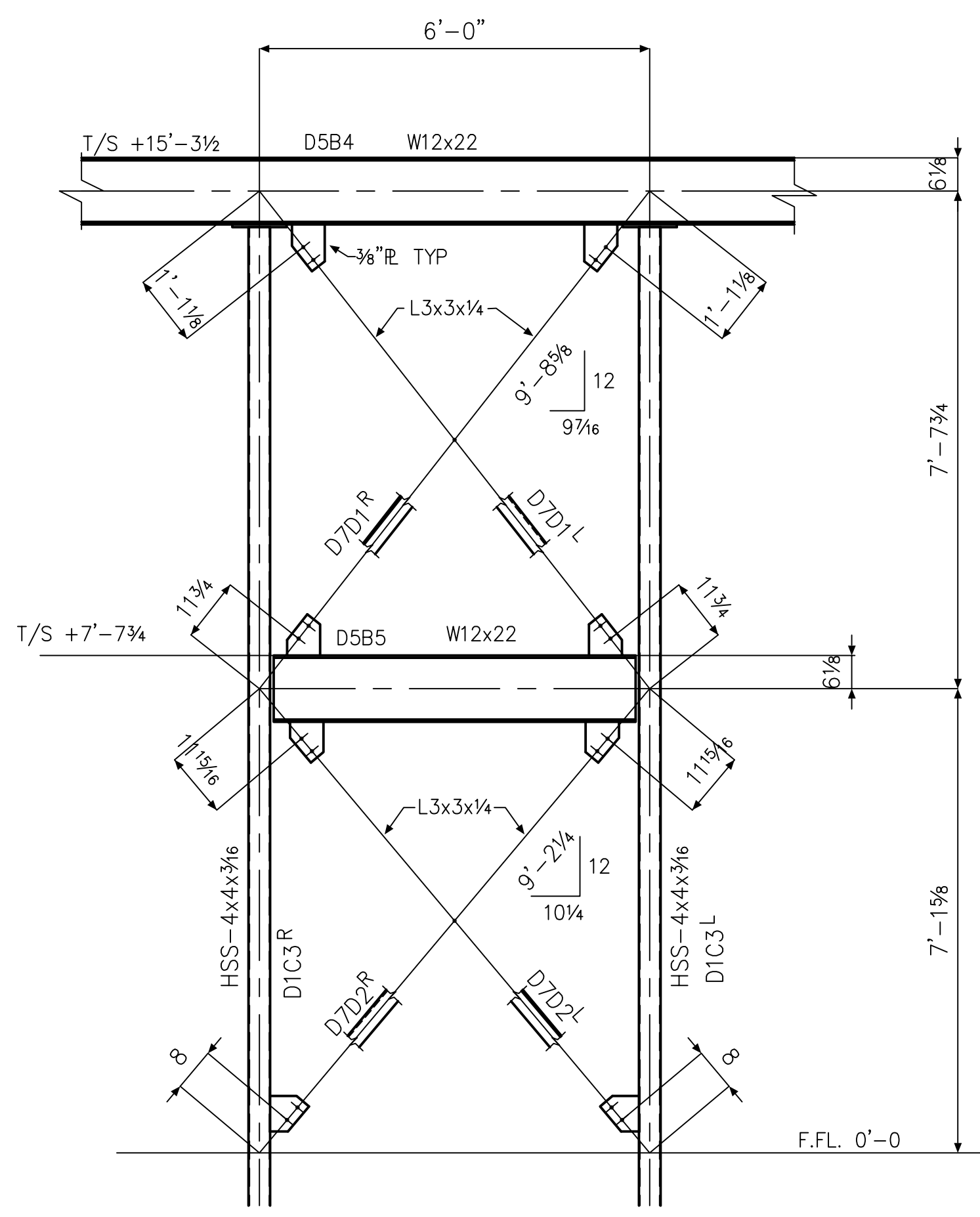
FIELD NOTE: VERY IMPORTANT.
ALL SHIPPING MARKS ARE
PREFIXED WITH (TR)
THIS STEEL IS FOR THE TRUCK
RENTAL BUILDING BLDG. ONLY

REV.	DATE	DESCRIPTION	PRINTS	NO.	DATE	NO.	DATE

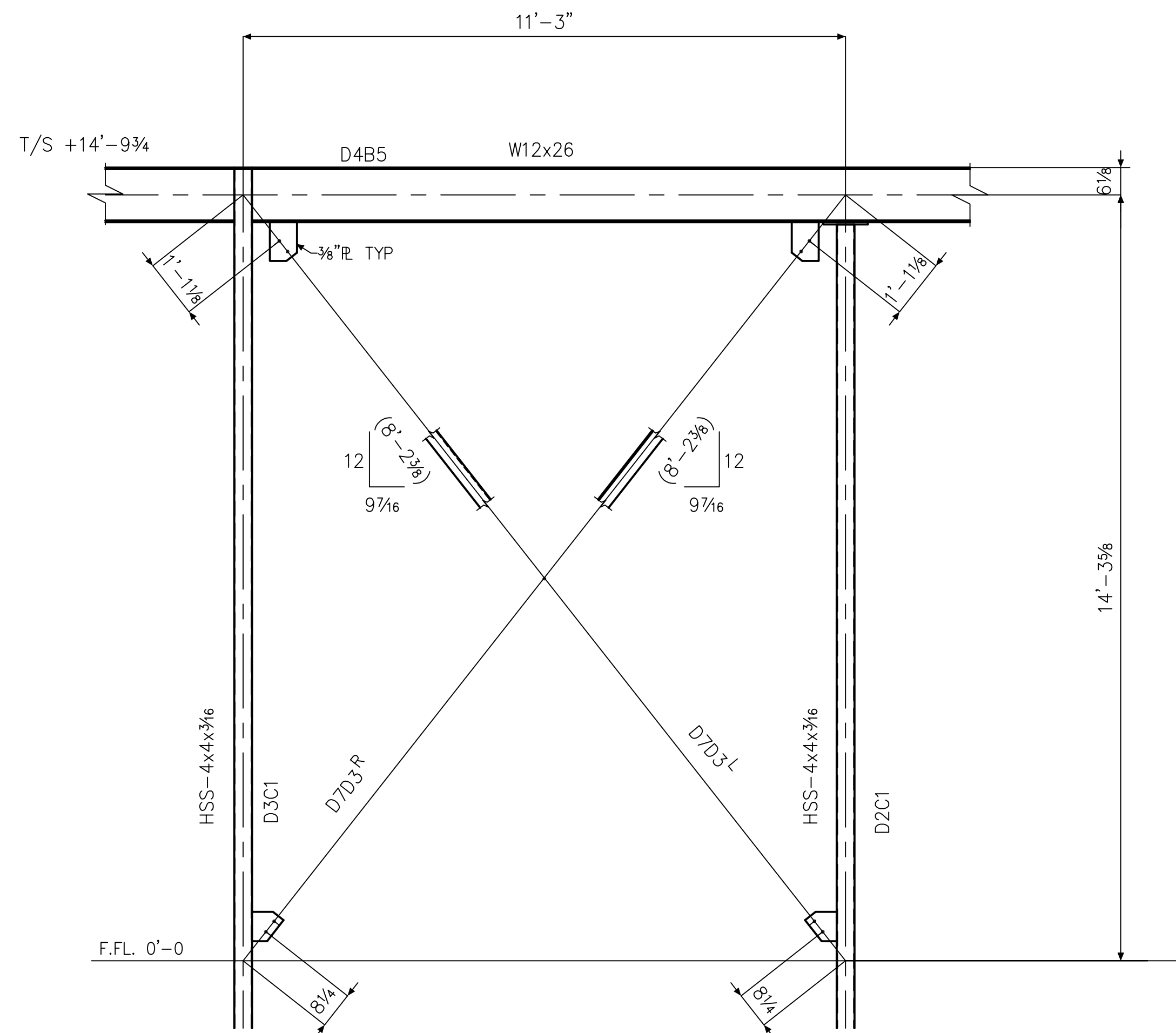
FIELD					
SHOP					
APPROVAL					

JOB		ENTERPRISE TRUCK RENTAL BLDG.	
LOCATION		2202 COBB PARKWAY	
CUSTOMER		CHANDLEE & SONS	
ARCHITECT		LEE'S DESIGN & ASSOCIATES, INC	

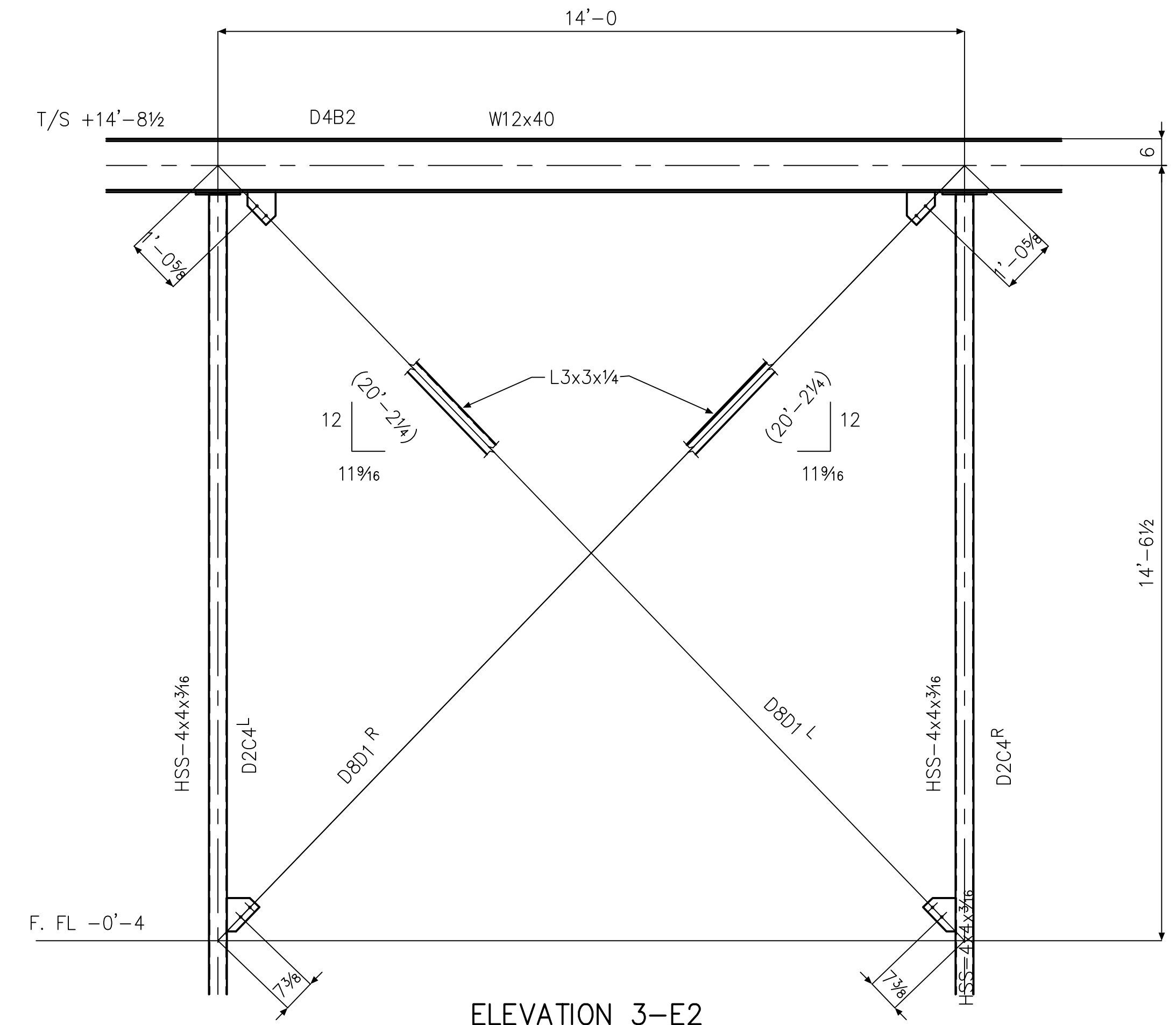
DETAILER	MHA	DATE	1/17	JOB NO.		DRWG. NO.	
CHECKER		DATE		2385		(TR) E1	
IN CHARGE OF							



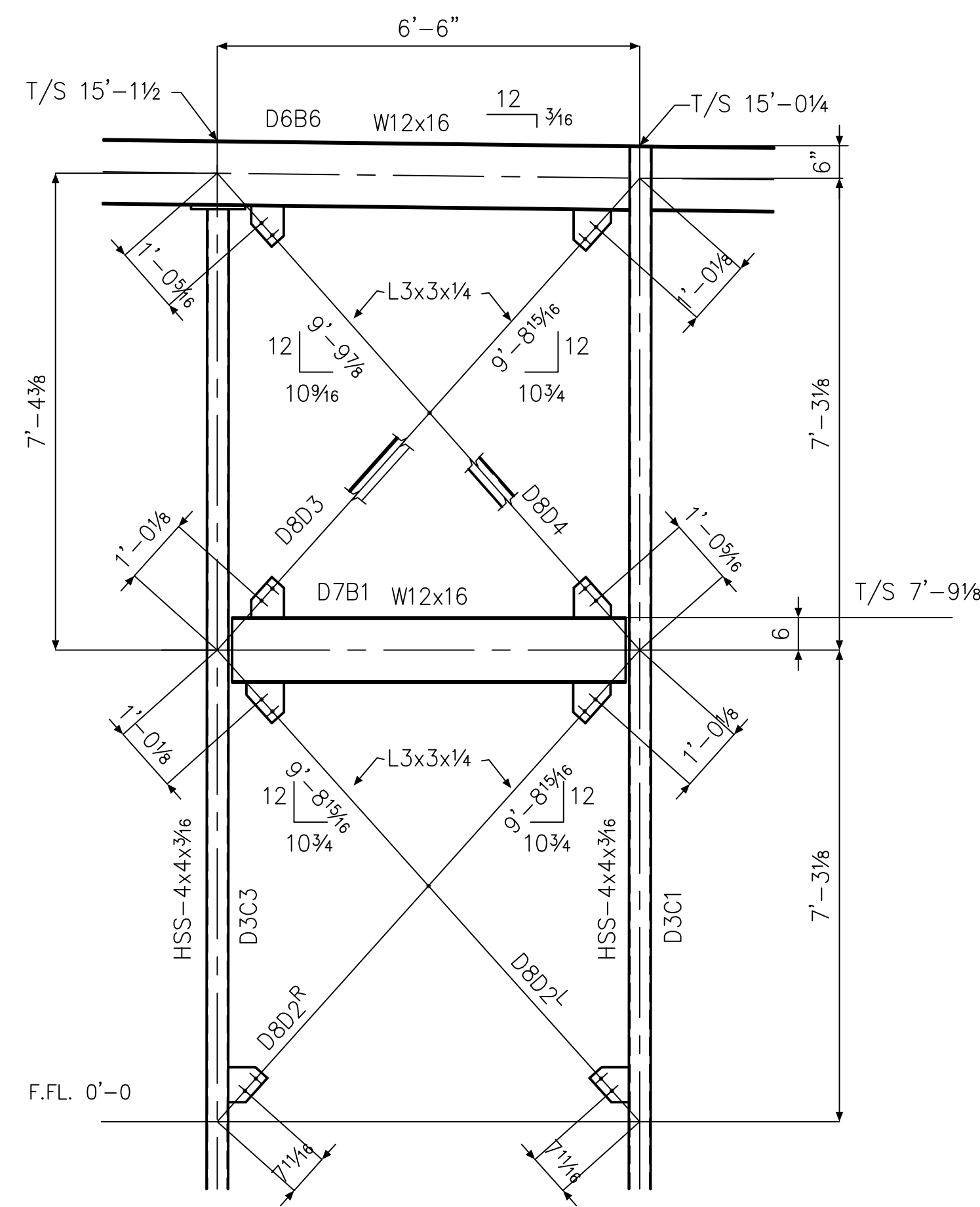
ELEVATION 1-E2



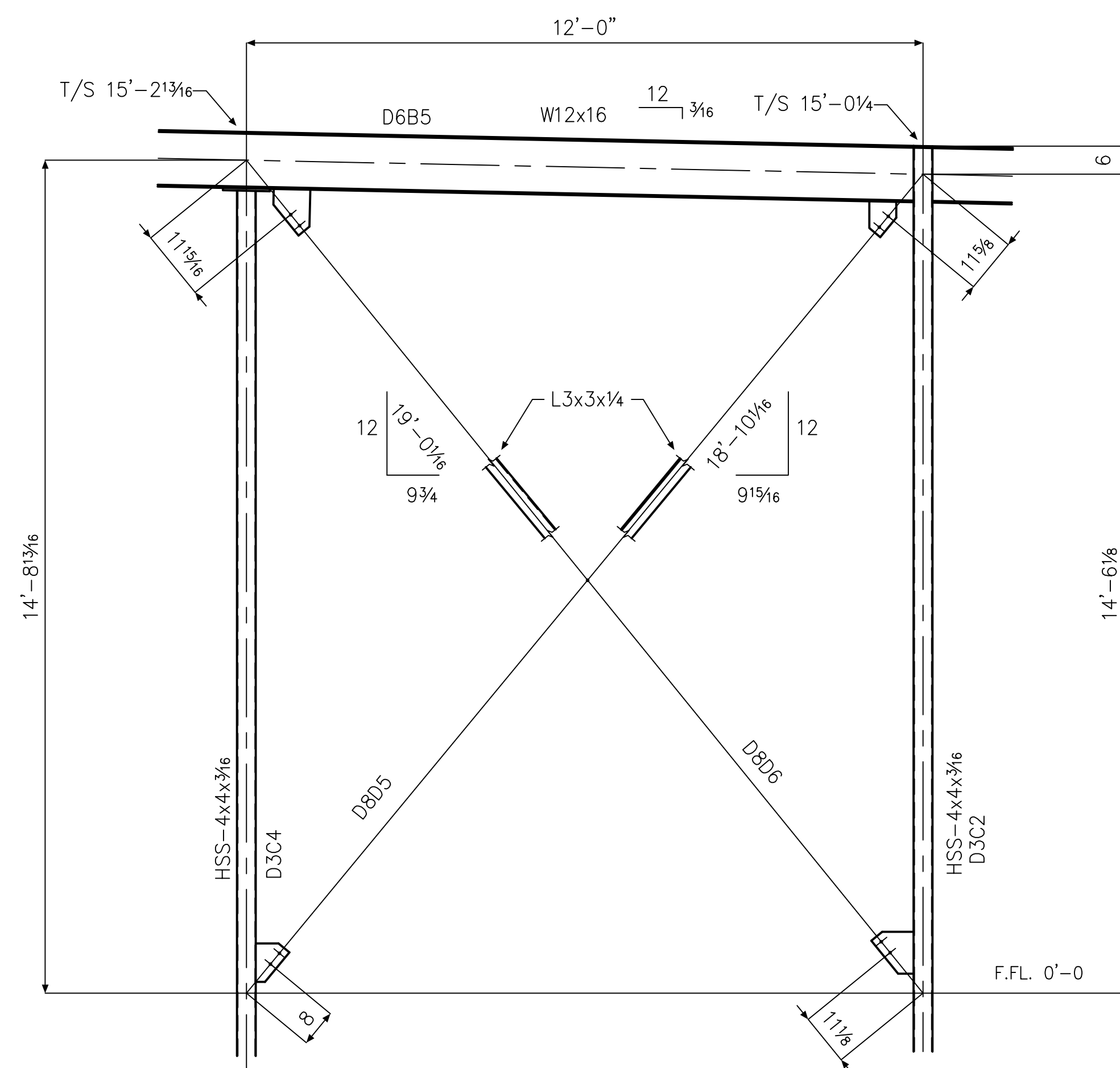
ELEVATION 2-E2



ELEVATION 3-E2



ELEVATION 4-E2



ELEVATION 5-E2

FIELD NOTE: VERY IMPORTANT.
ALL SHIPPING MARKS ARE
PREFIXED WITH (TR)
THIS STEEL IS FOR THE TRUCK
RENTAL BUILDING BLDG. ONLY

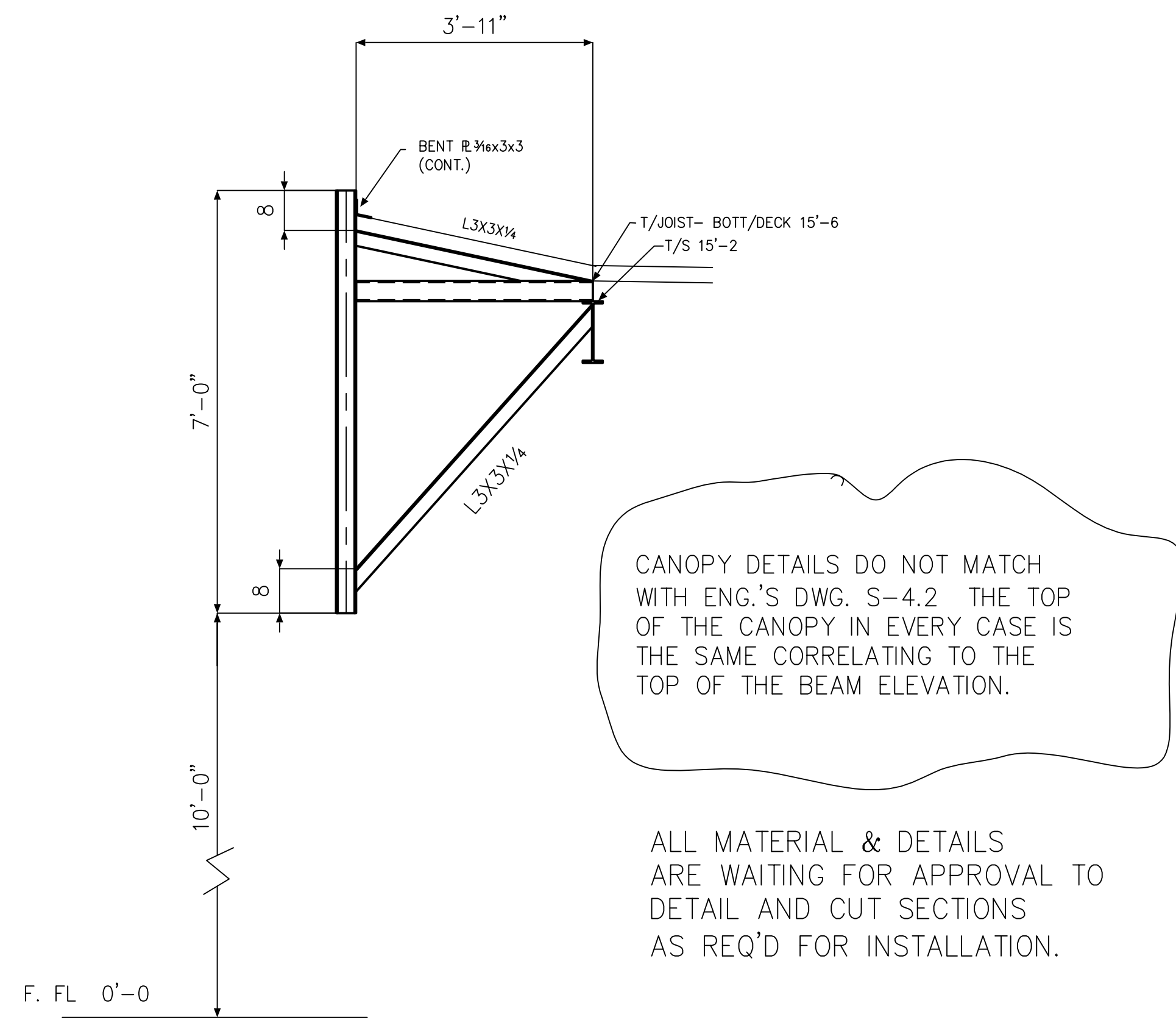
FOR APPROVAL ONLY

REV.	DATE	DESCRIPTION	PRINTS	NO.	DATE	NO.	DATE

B & P IRON COMPANY, INC.
2514 West Point Ave. College Park, Ga. Tel. (404) 767-0546 Fax. (404) 767-4232

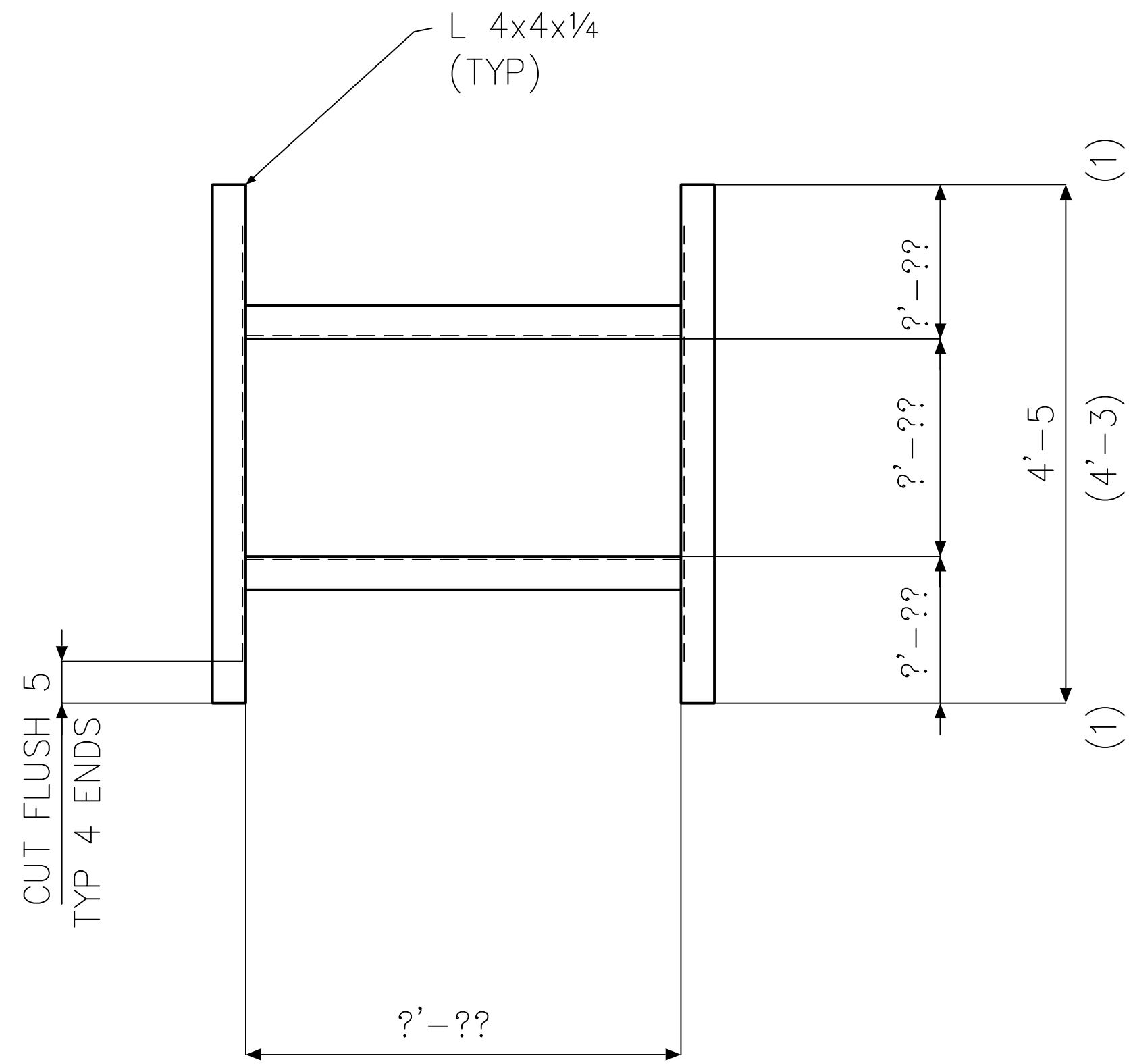
JOB ENTERPRISE TRUCK RENTAL BLDG.
2202 COBB PARKWAY
KENNESAW, GA.
CUSTOMER CHANDLEE & SONS
ARCHITECT LEE'S DESIGN & ASSOCIATES, INC.

DETAILER MHA DATE 1/17 JOB NO. 2385 DRWG. NO. (TR)E2
CHECKER DATE IN CHARGE OF



SECTION A-E3
SECTION B-E3 SIMILAR

ENG. APPROVAL.
PLEASE APPROVE OR
CORRECT USING SHEAR PL'S
ON THE CORNER COLUMNS.



1 - ROOF FRAME - D9F1

ALL DIMENSIONS TO BE FURNISHED
BY CONTRACTOR.
FIELD TO LOCATE

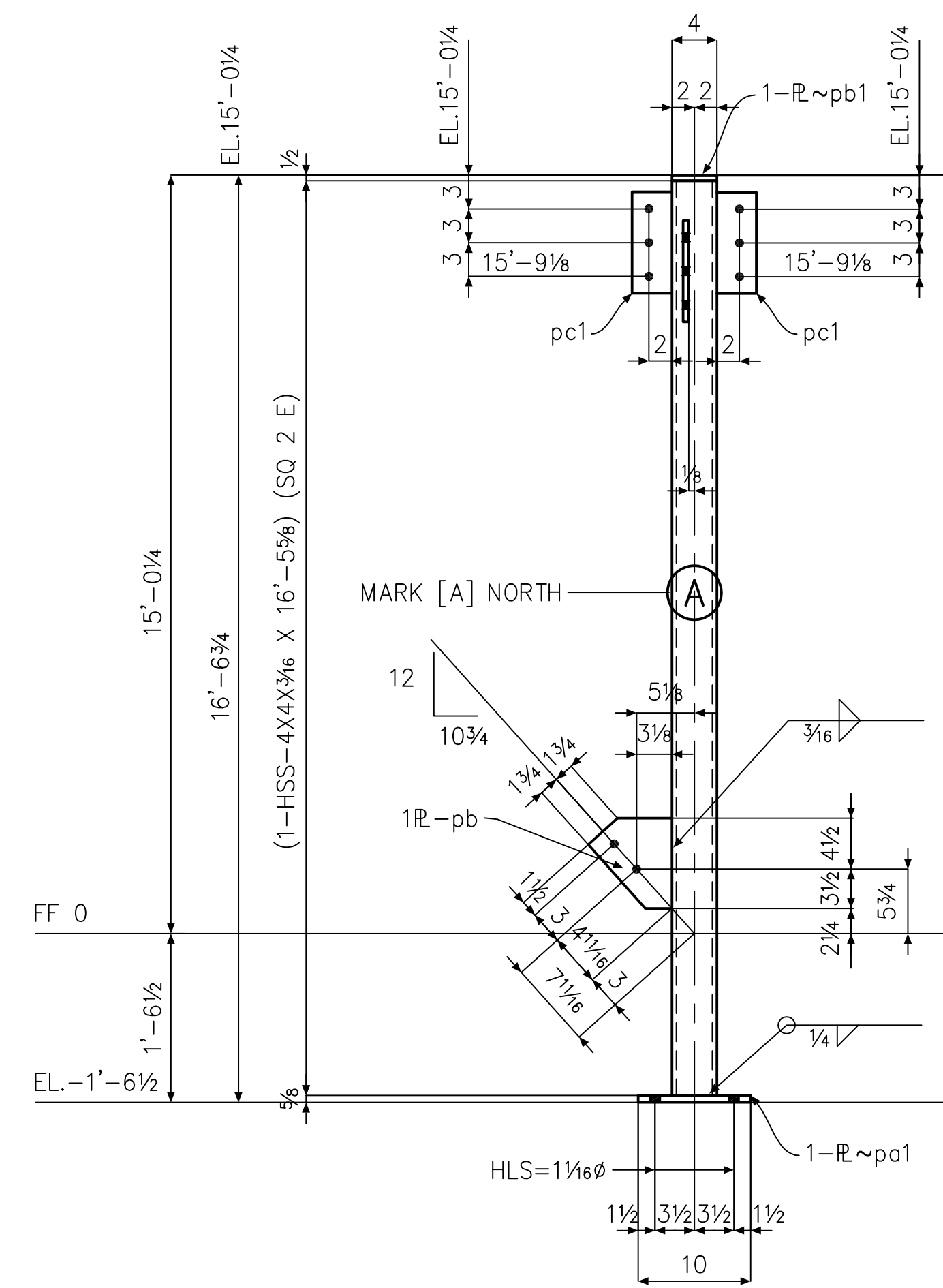
FIELD NOTE: VERY IMPORTANT.
ALL SHIPPING MARKS ARE
PREFIXED WITH (TR)
THIS STEEL IS FOR THE TRUCK
RENTAL BUILDING BLDG. ONLY

FOR APPROVAL ONLY

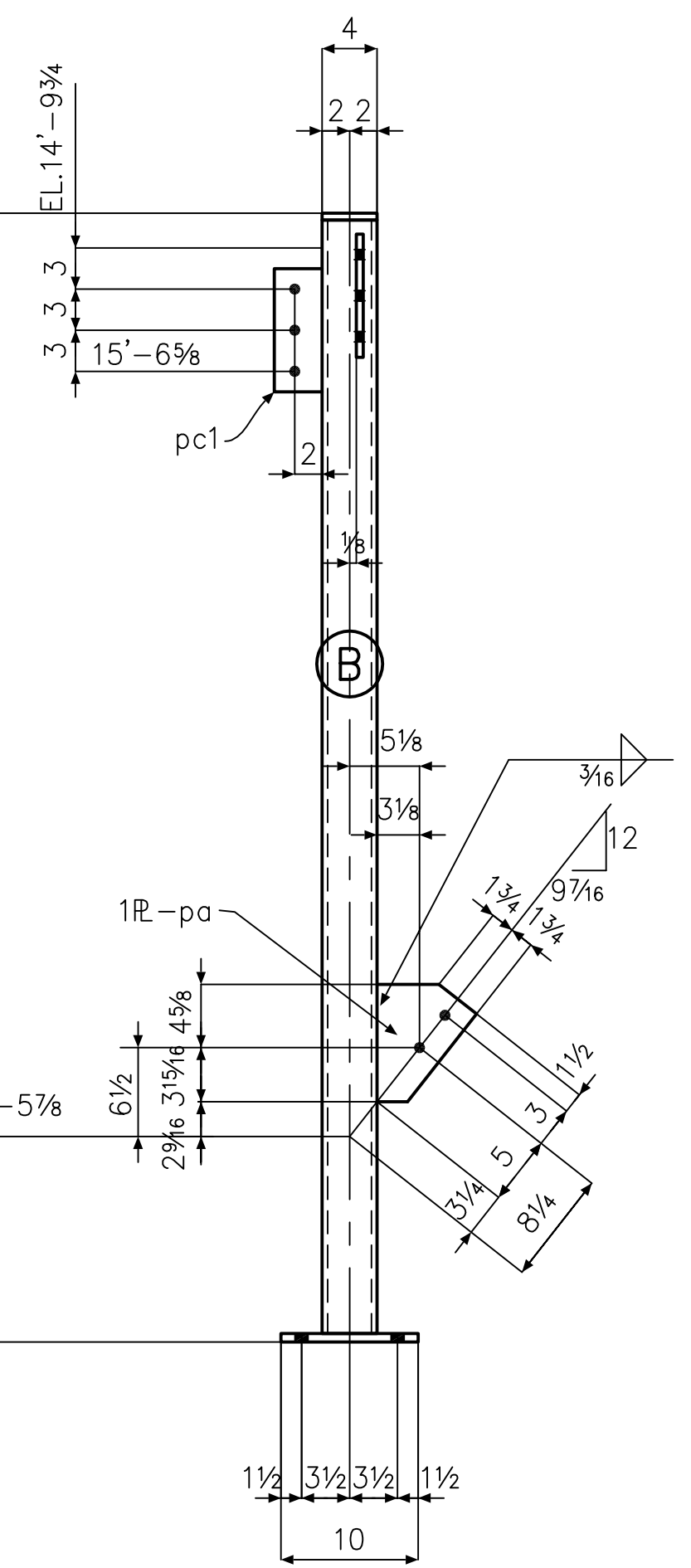
				FIELD			
				SHOP			
				APPROVAL			
REV.	DATE	DESCRIPTION	PRINTS	NO.	DATE	NO.	DATE
B & P IRON COMPANY, INC. 2514 West Point Ave. Tel. (404) 767-0546 College Park, Ga. Fax. (404) 767-4232							
JOB ENTERPRISE TRUCK RENTAL BLDG.							
2202 COBB PARKWAY							
LOCATION KENNESAW, GA.							
CUSTOMER CHANDLEE & SONS							
ARCHITECT LEE'S DESIGN & ASSOCIATES, INC							
DETAILER MHA	DATE 1/17	JOB NO.	DRWG. NO.				
CHECKER	DATE	2385	(TR)E3				
IN CHARGE OF							

BILL OF MATERIAL

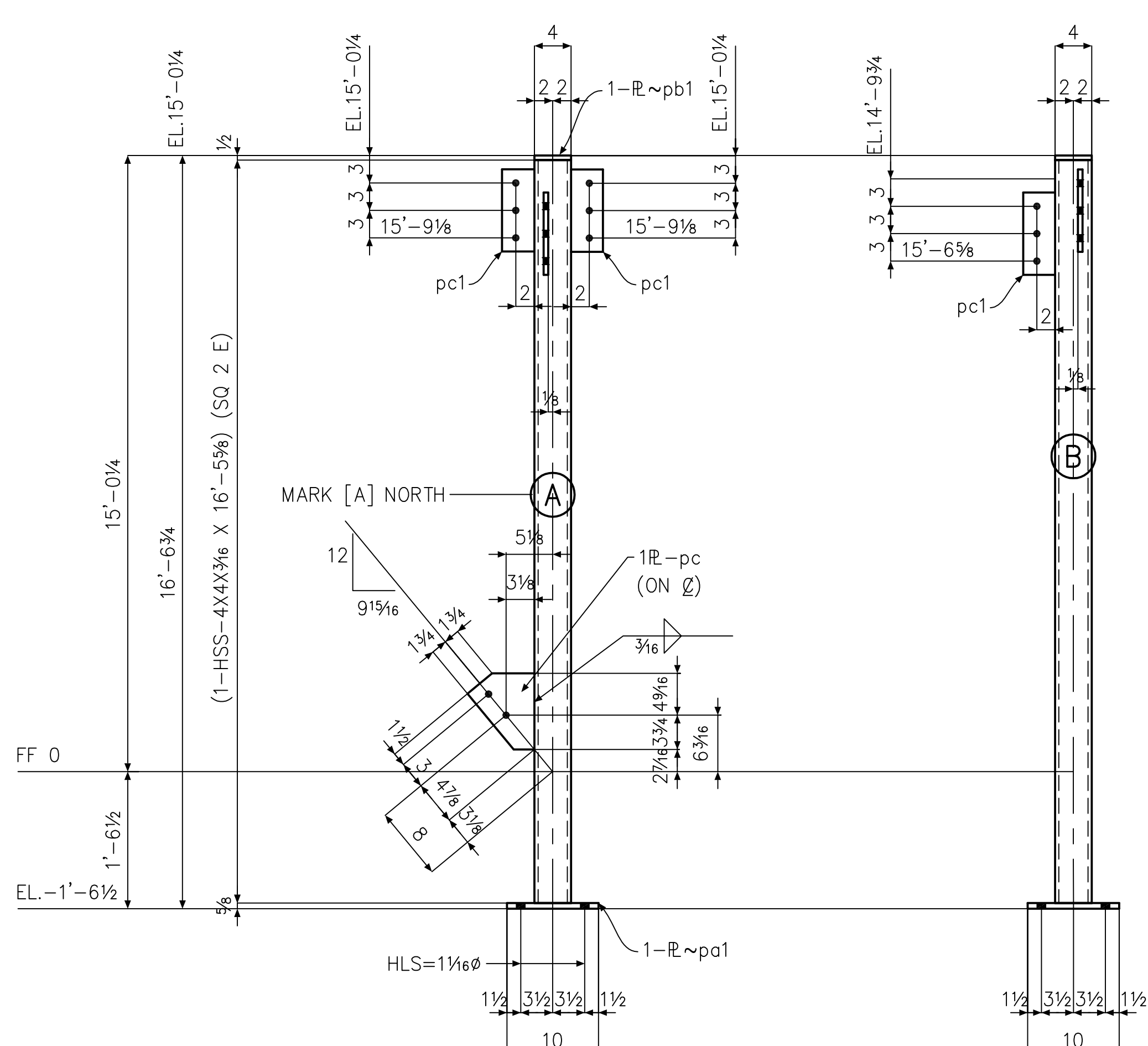
SHIPPING BILL		SHOP BILL						
NO. Pcs.	ERECTION MARK	NO.	SHAPE	LENGTH		REMARKS	WEIGHT	
				FT.	IN.			
		D3C1	1	HSS-4X4X3/8	16	55/8	(SQ 2 E)	
		pa1	1	R 5/8X10	0	10		
		pb1	1	R 1/2X4	0	4		
		pc1	4	R 3/8X3 1/2	0	9		
		pa	1	R 3/8X7 1/4	0	8 5/8		
		pb	1	R 3/8X7 1/8	0	8		
		D3C2	1	HSS-4X4X3/8	16	55/8	(SQ 2 E)	
		pa1	1	R 5/8X10	0	10		
		pb1	1	R 1/2X4	0	4		
		pc1	3	R 3/8X3 1/2	0	9		
		pc	1	R 3/8X7 3/8	0	8 5/8		
		D3C3	1	HSS-4X4X3/8	15	7 1/4	(SQ 2 E)	
		pa1	1	R 5/8X10	0	10		
		pd1	1	R 1/2X6	0	10		
		pc	1	R 3/8X7 3/8	0	8 5/8		
		D3C4	1	HSS-4X4X3/8	15	8 3/8	(SQ 2 E)	
		pa1	1	R 5/8X10	0	10		
		pd1	1	R 1/2X6	0	10		
		pd	1	R 3/8X7 1/2	0	8 1/8		



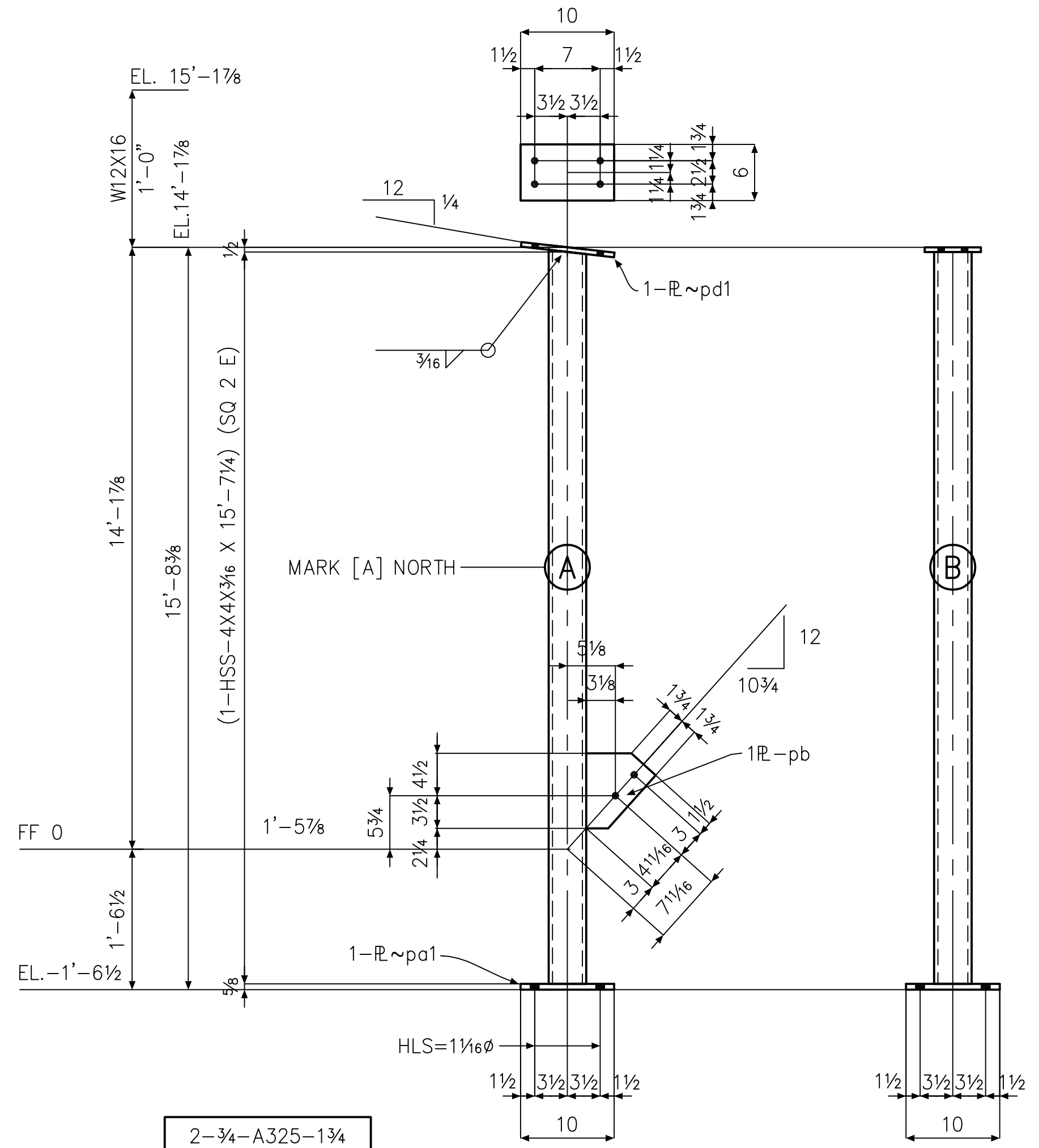
1 - COLUMN - D3C1 13-3/4-A325-1 3/4



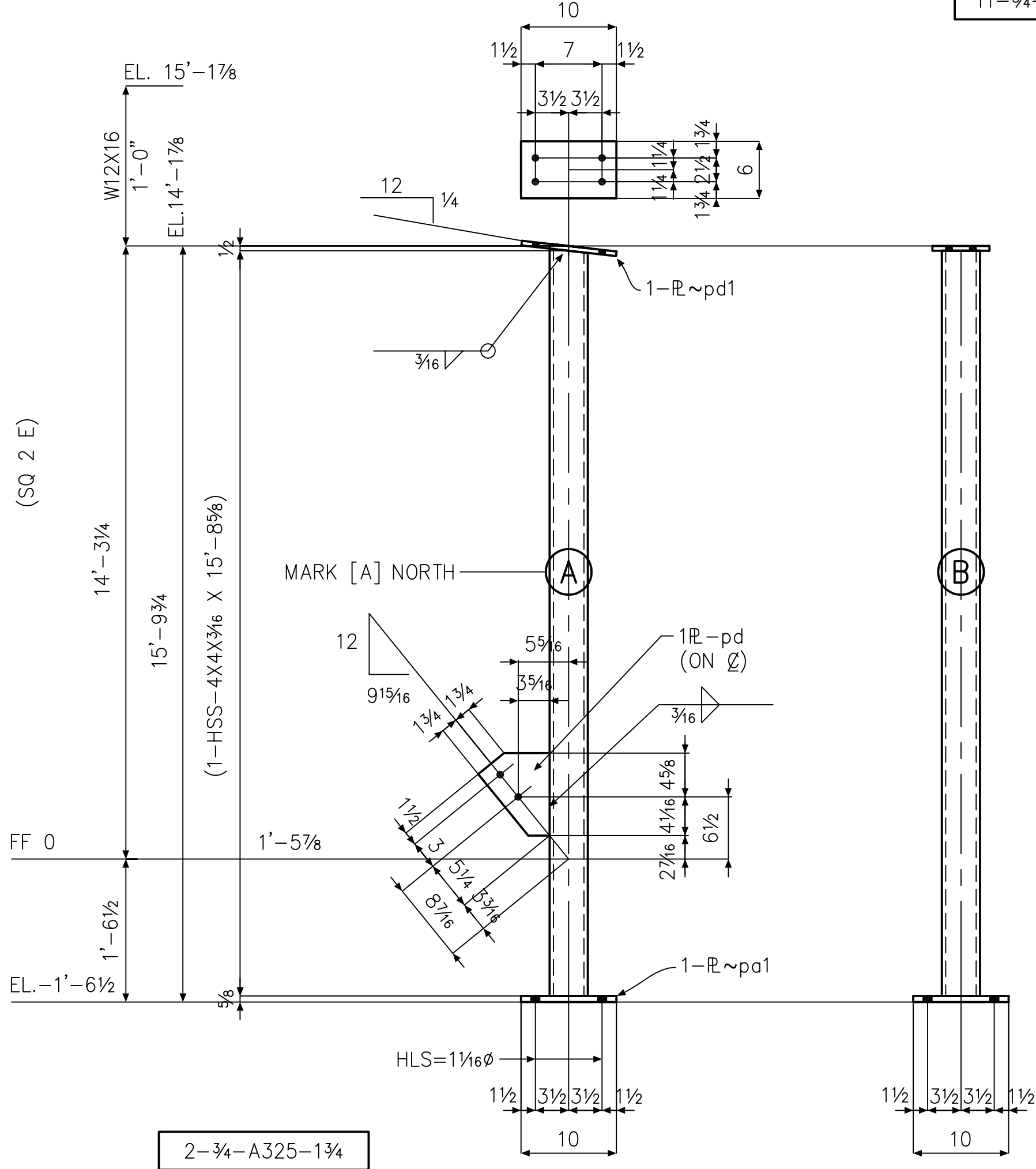
1 - COLUMN - D3C2 11-3/4-A325-1 3/4



1 - COLUMN - D3C3 2-3/4-A325-1 3/4



1 - COLUMN - D3C4 4-3/4-A325-2



1 - COLUMN - D3C5 2-3/4-A325-1 3/4

FOR APPROVAL ONLY

SHOP NOTE: VERY IMPORTANT. PREFIX ALL SHIPPING MARKS WITH (TR) THIS STEEL IS FOR THE TRUCK RENTAL BUILDING BLDG. ONLY

REV.	DATE	DESCRIPTION	PRINTS	NO.	DATE	NO.	DATE

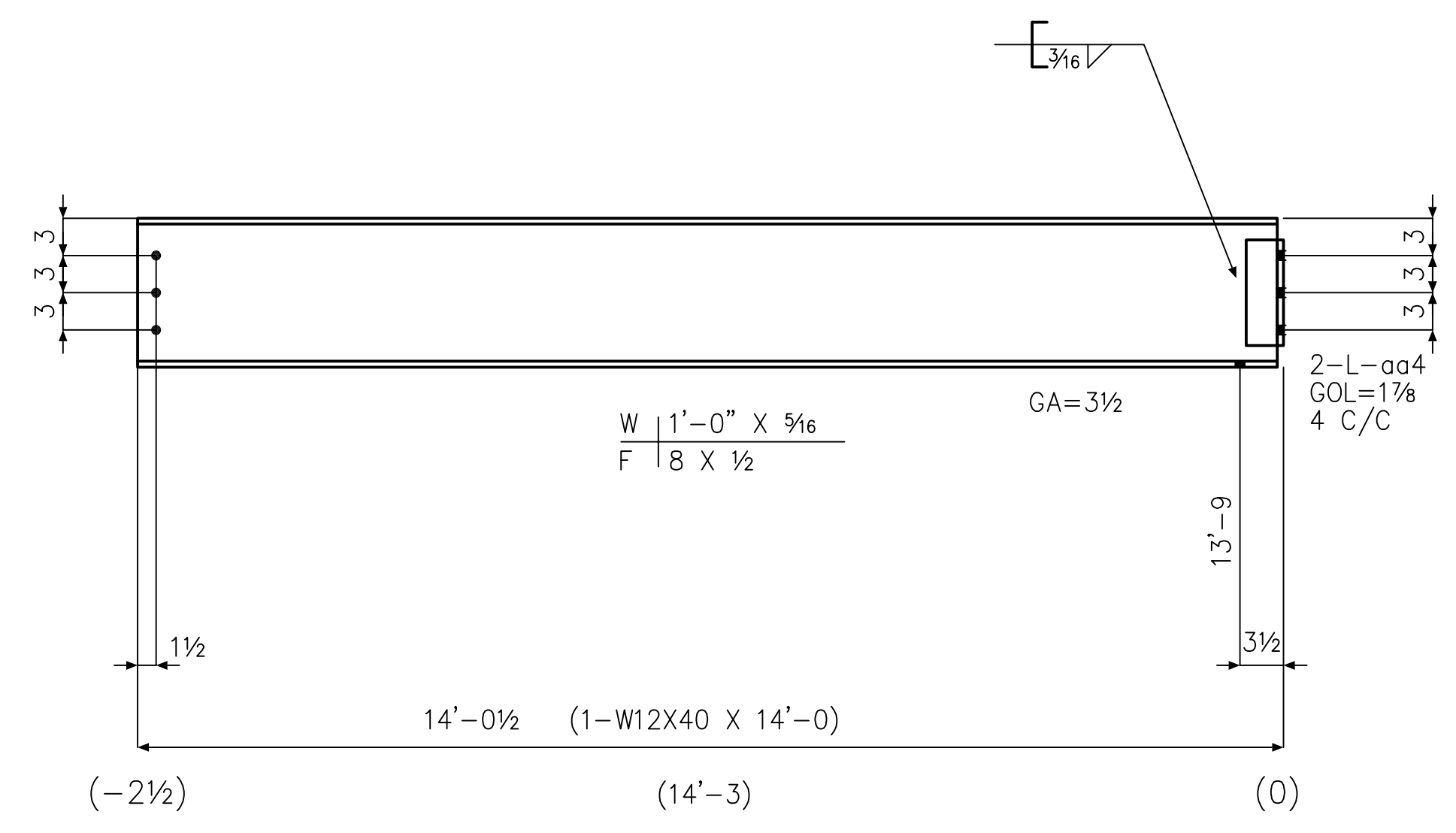
REFERENCE DRWG. / LOCATION		FIELD	
MATERIAL (UNLESS NOTED)		SHOP	
ALL STEEL ASTM A992		APPROVAL	
HSS A500 GRADE B			
STRUC. PIPES A53 GRADE B			
Ls, R.s & MISC. MATERIAL ASTM A36			
SURFACE PREPARATION			
Wire Brush			
SHOP PAINT			
1 S/C Red			
SHOP CONNECTIONS/ELECTRODES			
E70XX			
FIELD CONNECTIONS			
A325 SC BOLTS			

B & P IRON COMPANY, INC.	
2514 West Point Ave.	Tel. (404) 767-0546
College Park, Ga.	Fax. (404) 767-4232
JOB	ENTERPRISE TRUCK RENTAL BLDG.
	2202 COBB PARKWAY
LOCATION	KENNESAW, GA.
CUSTOMER	CHANDLEE & SONS
ARCHITECT	LEE'S DESIGN & ASSOCIATES, INC
DETAILER	MHA
DATE	1/17
CHECKER	
DATE	
IN CHARGE OF	

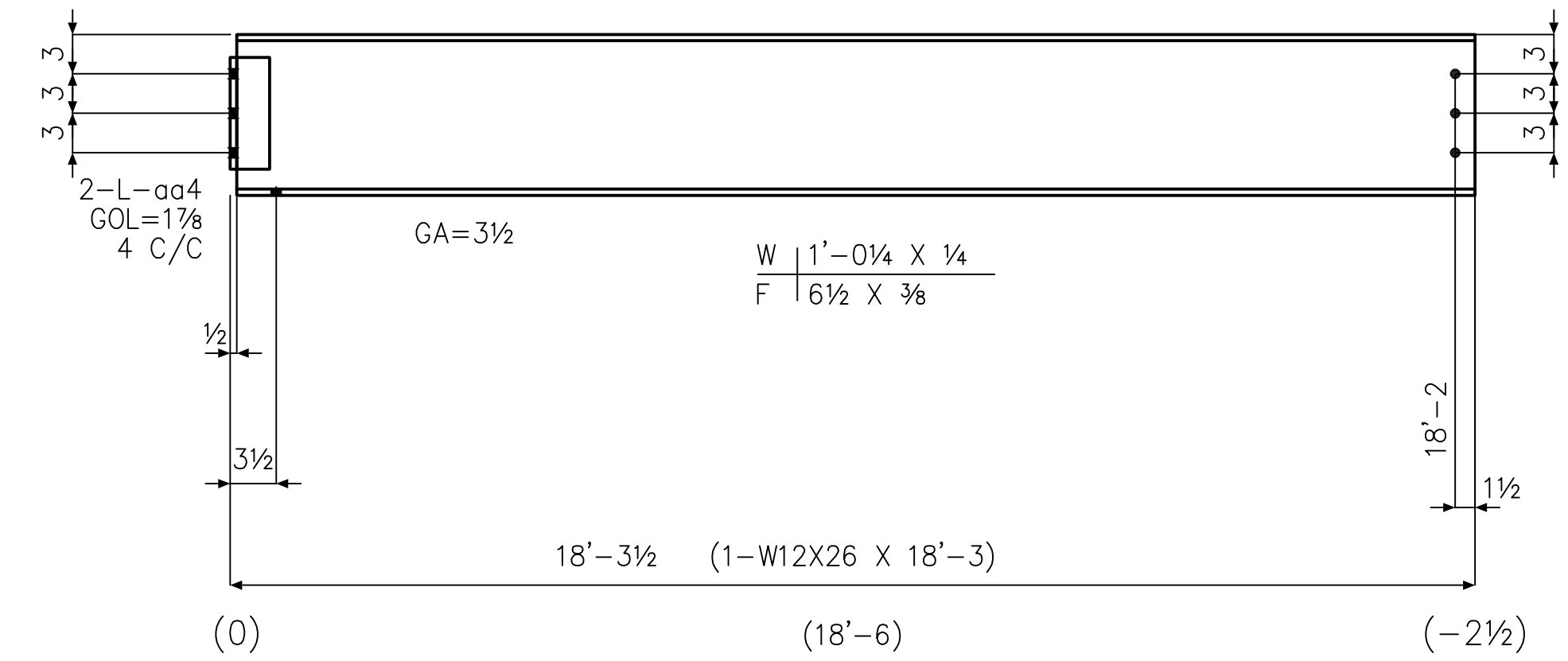
JOB NO.	2385	DRWG. NO.	(TR)D3
---------	------	-----------	--------

BILL OF MATERIAL

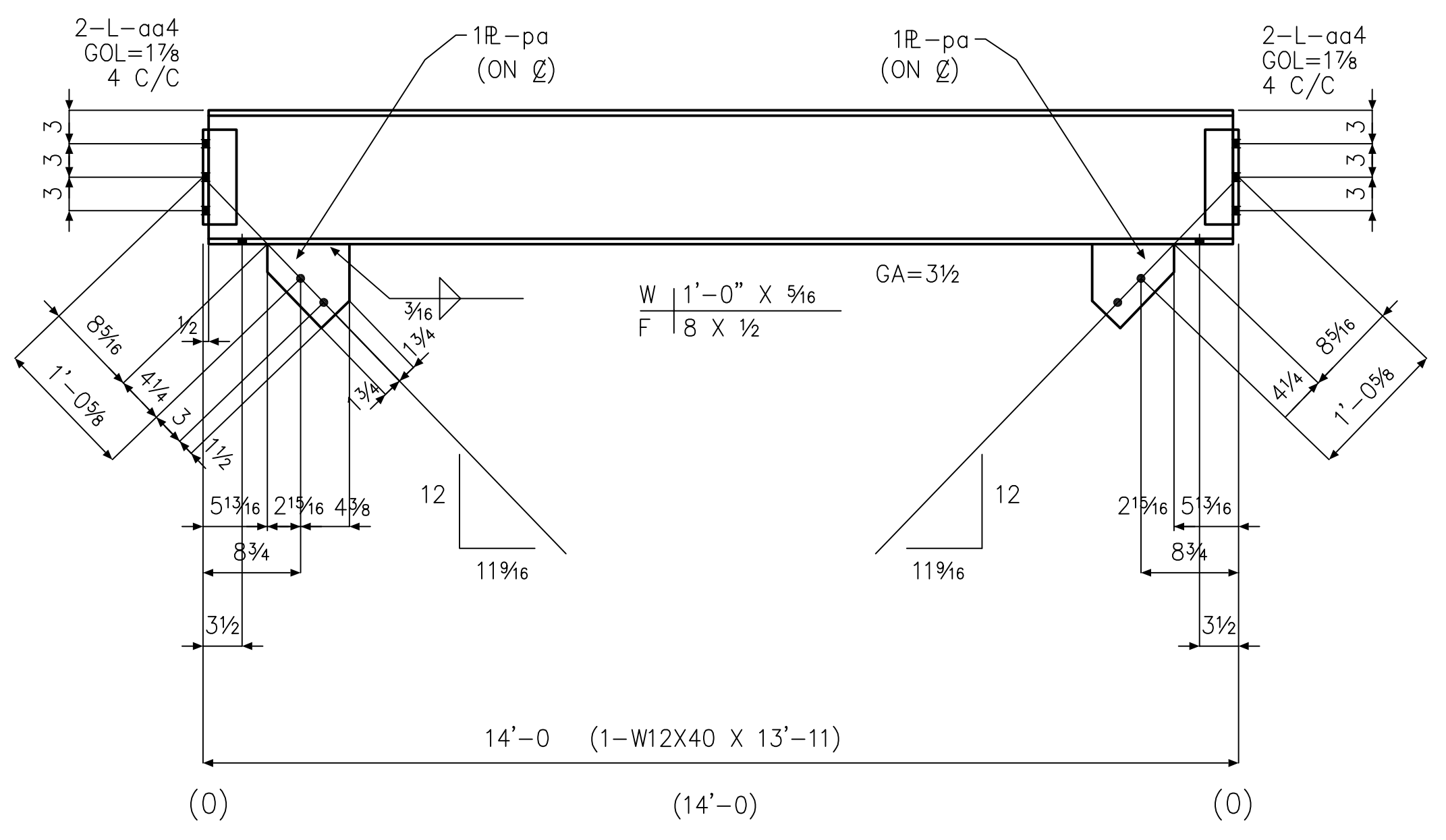
SHIPPING BILL		SHOP BILL					
NO. Pcs.	ERECTION MARK	NO.	SHAPE	LENGTH		REMARKS	WEIGHT
				FT.	IN.		
		D4B1	2	W12X40	14	0	
		aa4	4	L3X3X1/4	0	8 1/2	
		D4B2	1	W12X40	13	11	
		aa4	4	L3X3X1/4	0	8 1/2	
		pa	2	R 3/8x7 1/16	0	7 9/16	
		D4B3	1	W12X26	12	8	
		aa4	4	L3X3X1/4	0	8 1/2	
		D4B4	1	W12X26	18	3	
		aa4	4	L3X3X1/4	0	8 1/2	
		D4B5	1	W12X26	11	0	
		aa4	2	L3X3X1/4	0	8 1/2	
		pb	2	R 3/8x6 1/2	0	8 13/16	
		D4B6	1	W12X22	7	9	
		aa4	2	L3X3X1/4	0	8 1/2	



2 - BEAMS - D4B1
ELEV=14'-8 1/2

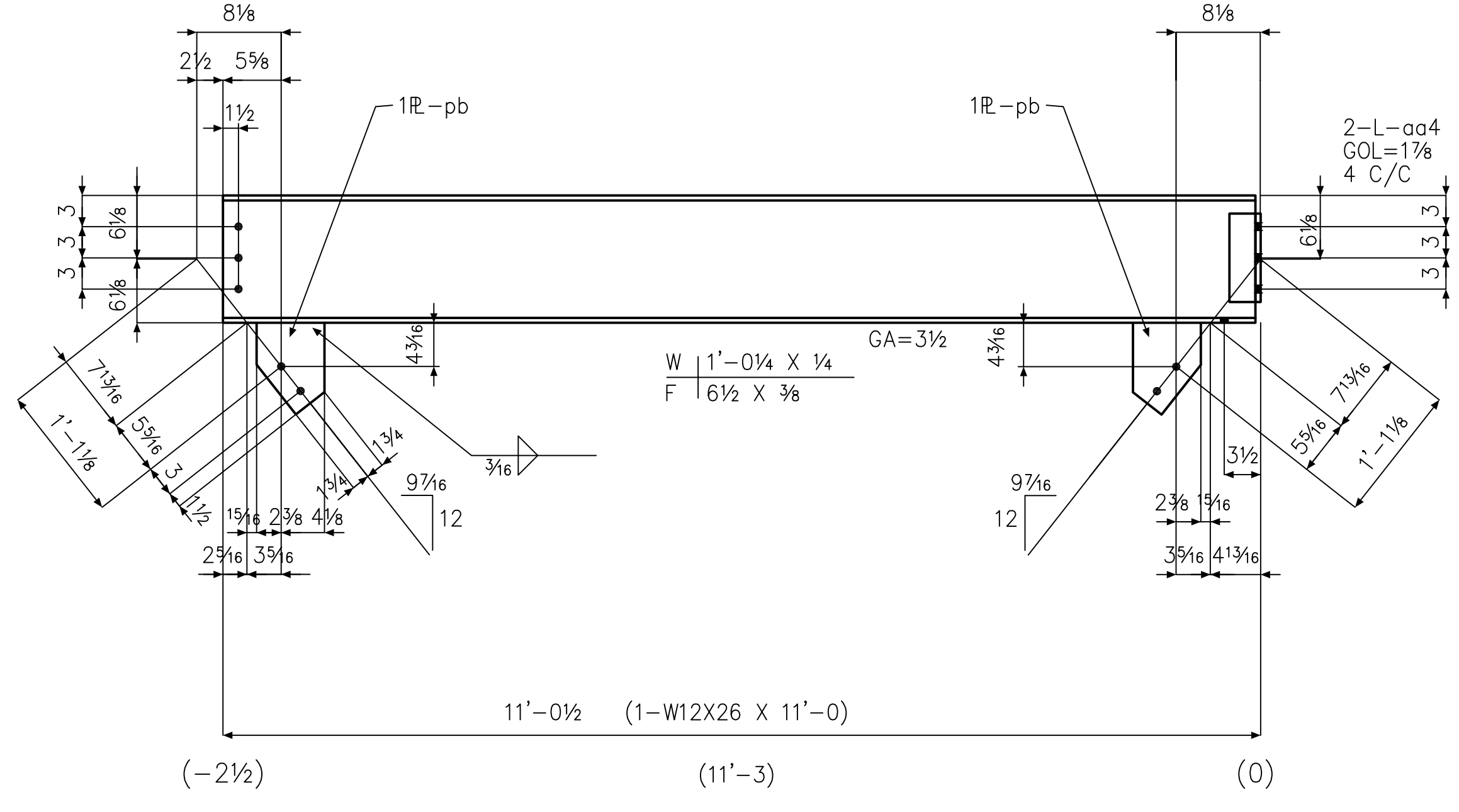


1 - BEAM - D4B4
ELEV=14'-9 3/4



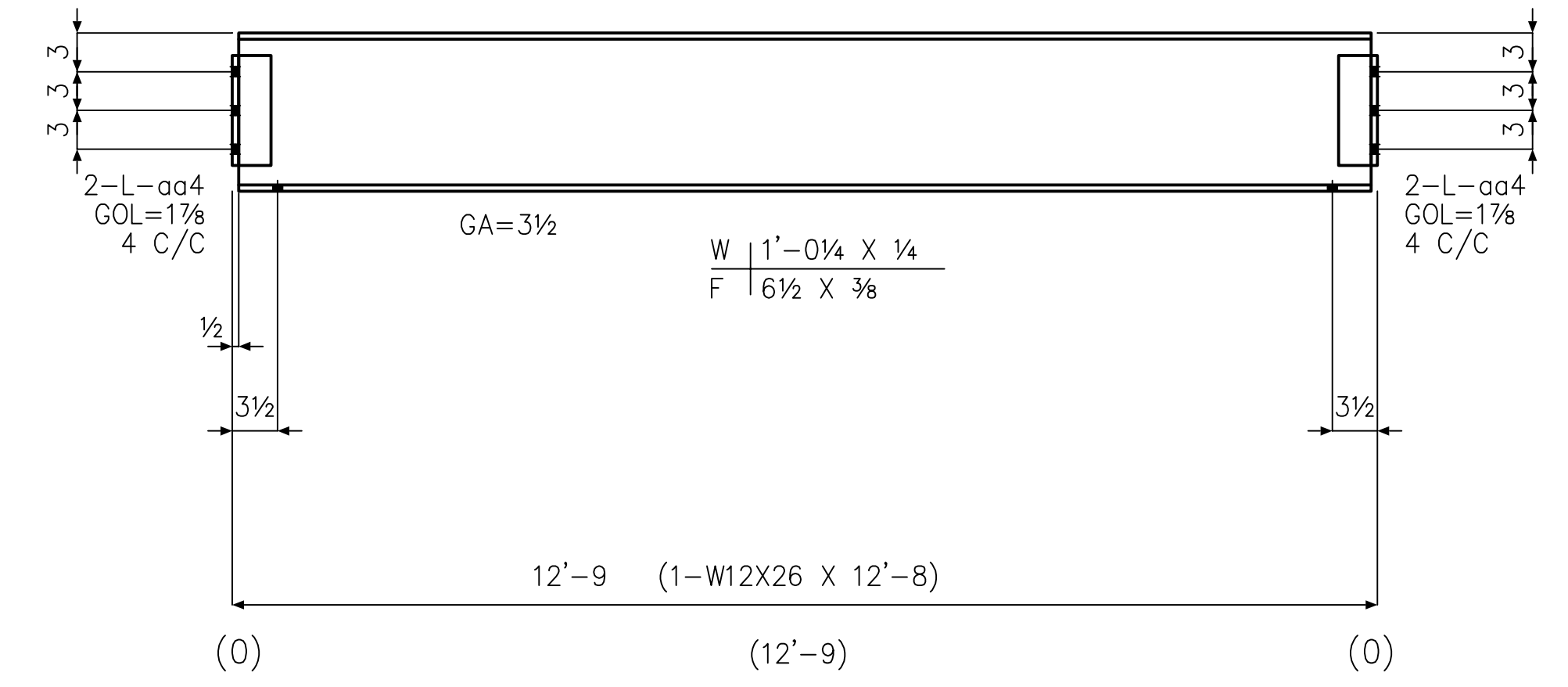
1 - BEAM - D4B2
ELEV=14'-8 1/2

4-3/4-A325-13/4

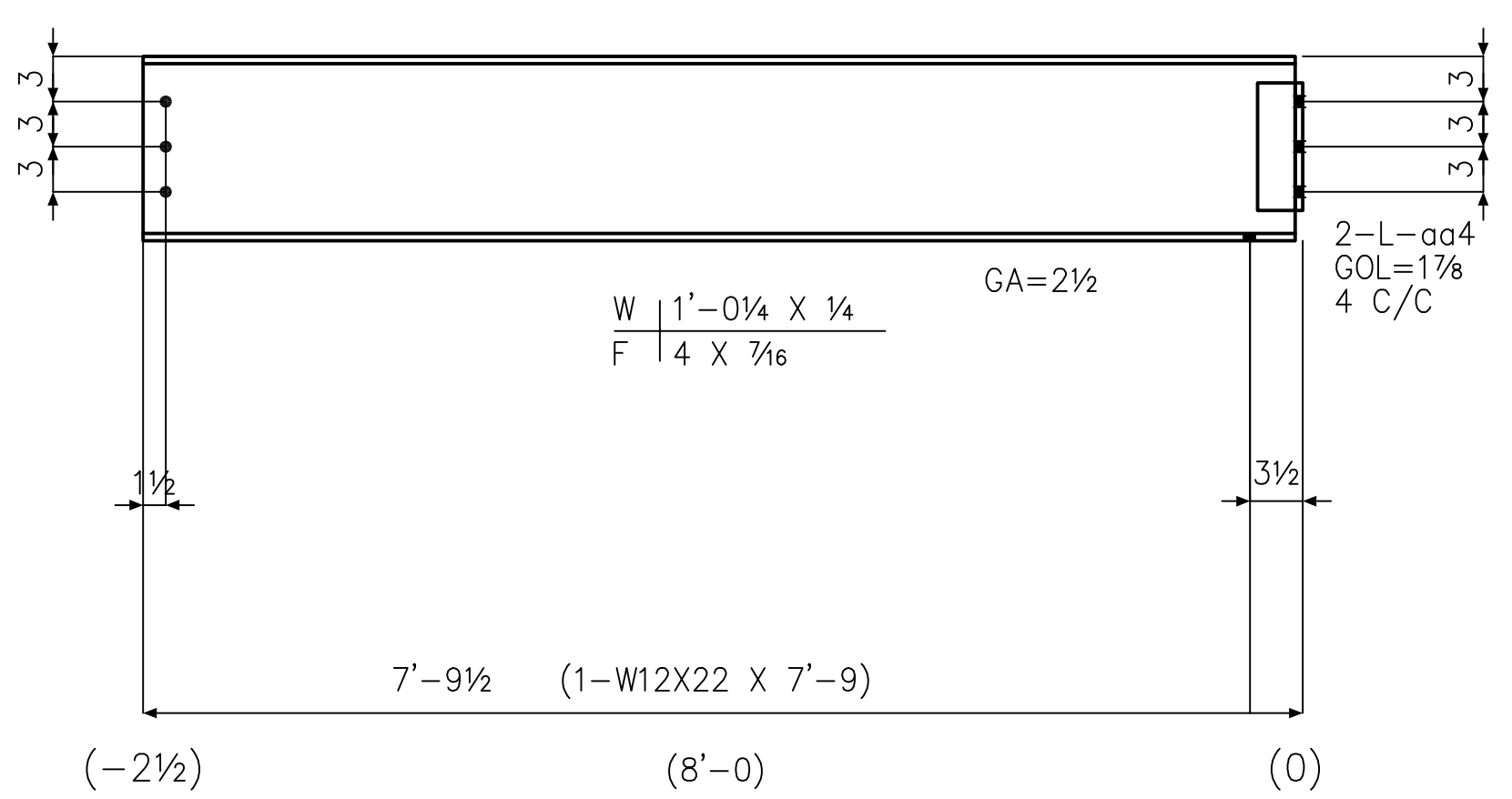


1 - BEAM - D4B5
ELEV=14'-9 3/4

4-3/4-A325-13/4



1 - BEAM - D4B3
ELEV=14'-9 3/4



1 - BEAM - D4B6
ELEV=15'-3 1/2

FOR APPROVAL ONLY

SHOP NOTE: VERY IMPORTANT. PREFIX ALL SHIPPING MARKS WITH (TR) THIS STEEL IS FOR THE TRUCK RENTAL BUILDING BLDG. ONLY

REFERENCE DRWG. / LOCATION		FIELD	
MATERIAL (UNLESS NOTED)		SHOP	
ALL STEEL ASTM A992		APPROVAL	
HSS A500 GRADE B		REV.	DATE
STRUC. PIPES A53 GRADE B		DESCRIPTION	PRINTS NO. DATE NO. DATE
Ls, Rs & MISC. MATERIAL ASTM A36		B & P IRON COMPANY, INC.	
SURFACE PREPARATION		2514 West Point Ave.	Tel. (404) 767-0546
Wire Brush		College Park, Ga.	Fax. (404) 767-4232
SHOP PAINT		JOB	ENTERPRISE TRUCK RENTAL BLDG.
1 S/C Red			2202 COBB PARKWAY
SHOP CONNECTIONS/ELECTRODES		LOCATION	KENNESAW, GA.
E70XX		CUSTOMER	CHANDLEE & SONS
		ARCHITECT	LEE'S DESIGN & ASSOCIATES, INC
FIELD CONNECTIONS		DETAILER	MHA
A325 SC BOLTS		DATE	1/17
		CHECKER	
		IN CHARGE OF	
HOLES (U.N.)		JOB NO.	2385
13/16 Ø		DRWG. NO.	(TR)D4

